

# Product Specification Sheet

## OLSP3112L-C(I)D40

RoHS Compliant 1.25Gbps 1310nm Optical Transceiver 40km Reach



## Product Features

- Supports 1.25Gbps/1.0625Gbps bit rates
- Duplex LC connector
- Hot pluggable SFP footprint
- 1310nm DFB laser transmitter and PIN photo-detector
- Applicable for 40Km SMF connection
- Low power consumption, < 0.825W
- Digital Diagnostic Monitor Interface
- Compliant with SFP MSA and SFF-8472
- Very low EMI and excellent ESD protection
- Operating case temperature:
  - Commerical: 0 to 70 °C
  - Industrial: -40 to 85 °C

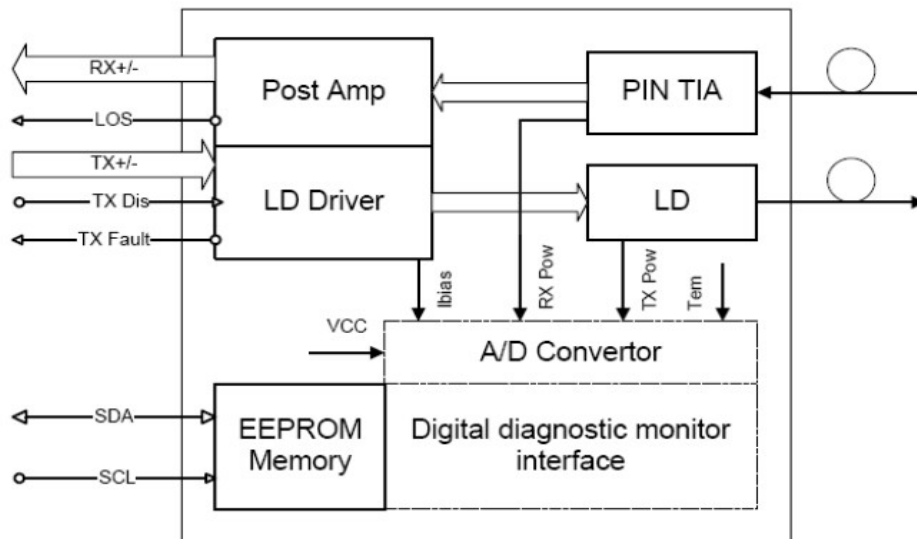
## Applications

- Gigabit Ethernet
- Fiber Channel
- Switch to Switch interface
- Switched backplane applications
- Router/Server interface
- Other optical transmission systems

## Product Descriptions

Olinkphotonics' OLSP3112L-C(I)D40,SFP transceivers are high performance, cost effective modules supporting dual data-rate of 1.25Gbps/1.0625Gbps and 40km transmission distance with SMF.The transceiver consists of three sections: a DFB laser transmitter, a PIN photodiode integrated with a trans-impedance preamplifier (TIA) and MCU control unit. All modules satisfy class I laser safety requirements.The transceivers are compatible with SFP Multi-Source Agreement (MSA) and SFF-8472. For further information, please refer to SFP MSA.

## Functional Diagram





## Absolute Maximum Ratings

Parameter	Symbol	Min.	Max.	Unit	Note
Supply Voltage	Vcc	-0.5	4.0	V	
Storage Temperature	Ts	-40	85	°C	
Relative Humidity	RH	0	85	%	

**Note:** Stress in excess of the maximum absolute ratings can cause permanent damage to the transceiver.

## General Operating Characteristics

Parameter	Symbol	Min.	Typ	Max.	Unit	Note
Data Rate	DR		1.25		Gb/s	
Supply Voltage	Vcc	3.13	3.3	3.47	V	
Supply Current	Icc			250	mA	
Operating Case Temp.	Tc	0		70	°C	
	Tl	-40		85		

## Electrical Characteristics (TOP(C) = 0 to 70 °C, TOP(I) = -40 to 85 °C, VCC = 3.13 to 3.47 V)

Parameter	Symbol	Min.	Typ	Max.	Unit	Note
<b>Transmitter</b>						
Differential data input swing	V <sub>IN,PP</sub>	300		1800	mV <sub>pp</sub>	1
Tx Disable Input-High	V <sub>IH</sub>	2.0		V <sub>CC</sub> +0.3	V	
Tx Disable Input-Low	V <sub>IL</sub>	0		0.8	V	
Tx Fault Output-High	V <sub>OH</sub>	2.0		V <sub>CC</sub> +0.3	V	2
Tx Fault Output-Low	V <sub>OL</sub>	0		0.5	V	2
Input differential impedance	R <sub>in</sub>		100		Ω	
<b>Receiver</b>						
Differential data output swing	V <sub>out,pp</sub>	400		1000	mV <sub>pp</sub>	3
Rx LOS Output-High	V <sub>ROH</sub>	2.0		V <sub>CC</sub> +0.3	V	2
Rx LOS Output-Low	V <sub>ROL</sub>	0		0.8	V	2

### Notes:

1. TD+/- are internally AC coupled with 100Ω differential termination inside the module.
2. Tx Fault and Rx LOS are open collector outputs, which should be pulled up with 4.7k to 10kΩ resistors on the host board. Pull up voltage between 2.0V and V<sub>CC</sub>+0.3V.
3. RD+/- outputs are internally AC coupled, and should be terminated with 100Ω (differential) at the user SERDES.

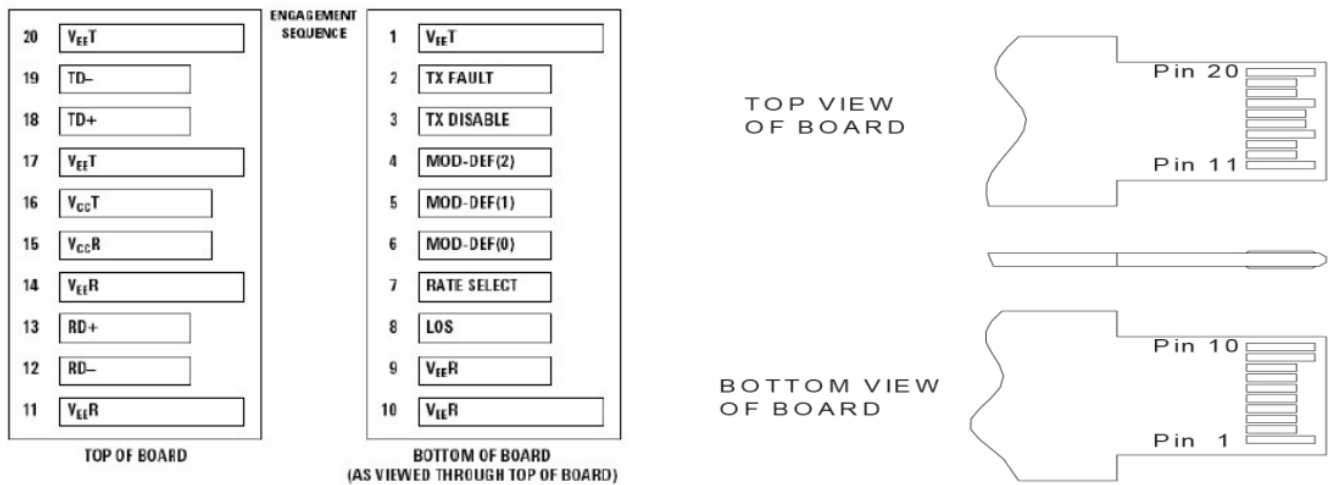
## Optical Characteristics (TOP(C) = 0 to 70 °C, TOP(I) = -40 to 85 °C, VCC = 3.13 to 3.47 V)

Parameter	Symbol	Min.	Typ	Max.	Unit	Note
<b>Transmitter</b>						
Operating Wavelength	$\lambda$	1290	1310	1330	nm	
Ave. output power (Enabled)	P <sub>AVE</sub>	-5		0	dBm	1
Extinction Ratio	ER	9			dB	1
Side mode Suppression Ratio	SMSR	30			dB	
RMS spectral width	$\Delta\lambda$			0.65	nm	
Rise/Fall time (20%~80%)	Tr/Tf			0.26	ns	2
Dispersion penalty	T <sub>DP</sub>			3.2	dB	
Output Optical Eye	Compliant with IEEE802.3 z (class 1 aser safety)					
<b>Receiver</b>						
Operating Wavelength	$\lambda$		1310		nm	
Receiver Sensitivity	P <sub>SEN1</sub>			-22	dBm	3
Overload	P <sub>AVE</sub>	-3			dBm	3
LOS Assert	Pa	-35			dBm	
LOS De-assert	Pd			-24	dBm	
LOS Hysteresis	Pd-Pa	0.5			dB	

### Notes:

1. Measured at 1250Mb/s with PRBS 2<sup>23</sup>-1 NRZ test pattern.
2. Unfiltered, measured with a PRBS 2<sup>23</sup>-1 test pattern @1.25Gbps
3. Measured at 1250Mb/s with PRBS 2<sup>23</sup>-1 NRZ test pattern for BER < 1x10<sup>-12</sup>

## Pin Defintion And Functions





Pin	Symbol	Name/Description	Notes
1	VeeT	Tx ground	
2	Tx Fault	Tx fault indication, Open Collector Output, active “H”	1
3	Tx Disable	LVTTL Input, internal pull-up, Tx disabled on “H”	2
4	MOD-DEF2	2 wire serial interface data input/output (SDA)	3
5	MOD-DEF1	2 wire serial interface clock input (SCL)	3
6	MOD-DEF0	Model present indication	3
7	Rate select	No connection	
8	LOS	Rx loss of signal, Open Collector Output, active “H”	4
9	VeeR	Rx ground	
10	VeeR	Rx ground	
11	VeeR	Rx ground	
12	RD-	Inverse received data out	5
13	RD+	Received data out	5
14	VeeR	Rx ground	
15	VccR	Rx power supply	
16	VccT	Tx power supply	
17	VeeT	Tx ground	
18	TD+	Transmit data in	6
19	TD-	Inverse transmit data in	6
20	VeeT	Tx ground	

#### Notes:

- When high, this output indicates a laser fault of some kind. Low indicates normal operation. And should be pulled up with a 4.7 – 10K $\Omega$  resistor on the host board.
- TX disable is an input that is used to shut down the transmitter optical output. It is pulled up within the module with a 4.7 – 10K $\Omega$  resistor. Its states are:  
 Low (0 – 0.8V): Transmitter on                      (>0.8, < 2.0V): Undefined  
 High (2.0V~Vcc+0.3V): Transmitter Disabled    Open: Transmitter Disabled
- Mod-Def 0,1,2. These are the module definition pins. They should be pulled up with a 4.7K – 10K $\Omega$  resistor on the host board. The pull-up voltage shall be between 2.0V~Vcc+0.3V.  
 Mod-Def 0 has been grounded by the module to indicate that the module is present  
 Mod-Def 1 is the clock line of two wire serial interface for serial ID  
 Mod-Def 2 is the data line of two wire serial interface for serial ID
- When high, this output indicates loss of signal (LOS). Low indicates normal operation.
- RD+/-: These are the differential receiver outputs. They are AC coupled 100 $\Omega$  differential lines which should be terminated with 100 $\Omega$  (differential) at the user SERDES. The AC coupling is done inside the module and is thus not required on the host board.
- TD+/-: These are the differential transmitter inputs. They are AC-coupled, differential lines with 100 $\Omega$  differential termination inside the module. The AC coupling is done inside the module and is thus not required on the host board.

## Digital Diagnostic Specifications

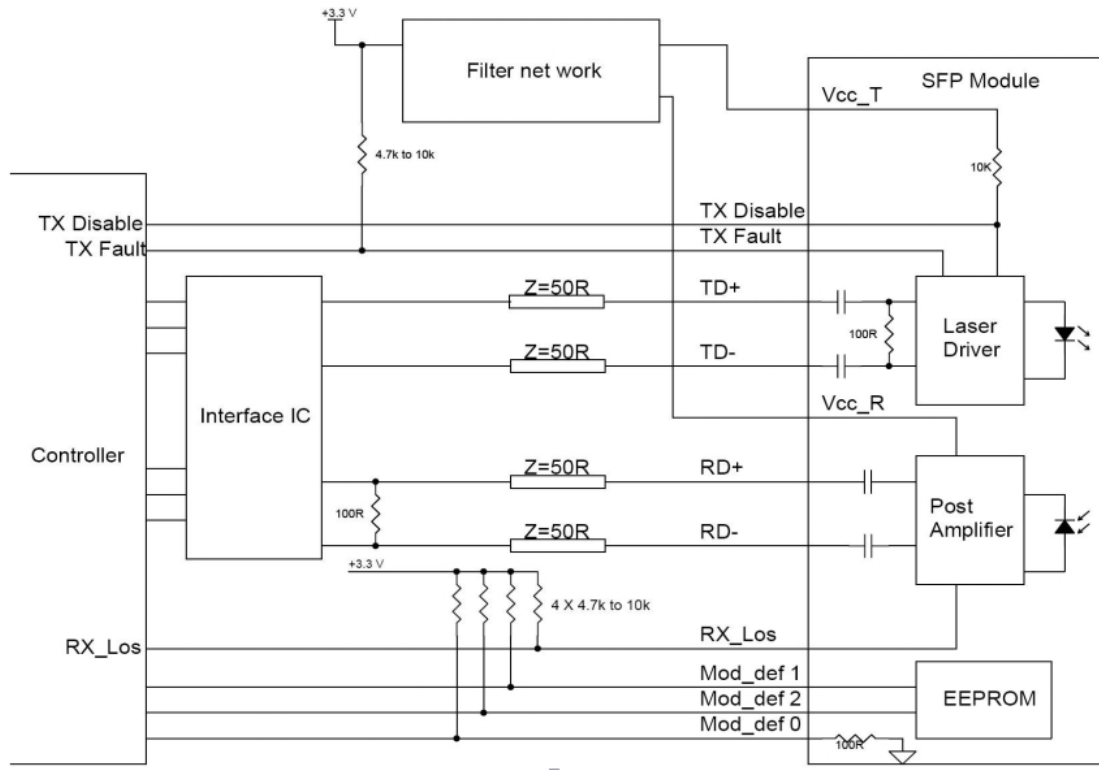
The OLSP3112L-C(I)D40 transceivers can be used in host systems that require either internally or externally calibrated digital diagnostics.

Parameter	Symbol	Units	Min.	Max.	Accuracy	Note
Transceiver temperature	DTemp-E	°C	-45	+90	±5°C	1
Transceiver supply voltage	DVoltage	V	2.8	4.0	±3%	
Transmitter bias current	DBias	mA	2	15	±10%	2
Transmitter output power	DTx-Power	dBm	-6	+1	±3dB	
Receiver average input power	DRx-Power	dBm	-25	0	±3dB	

### Notes:

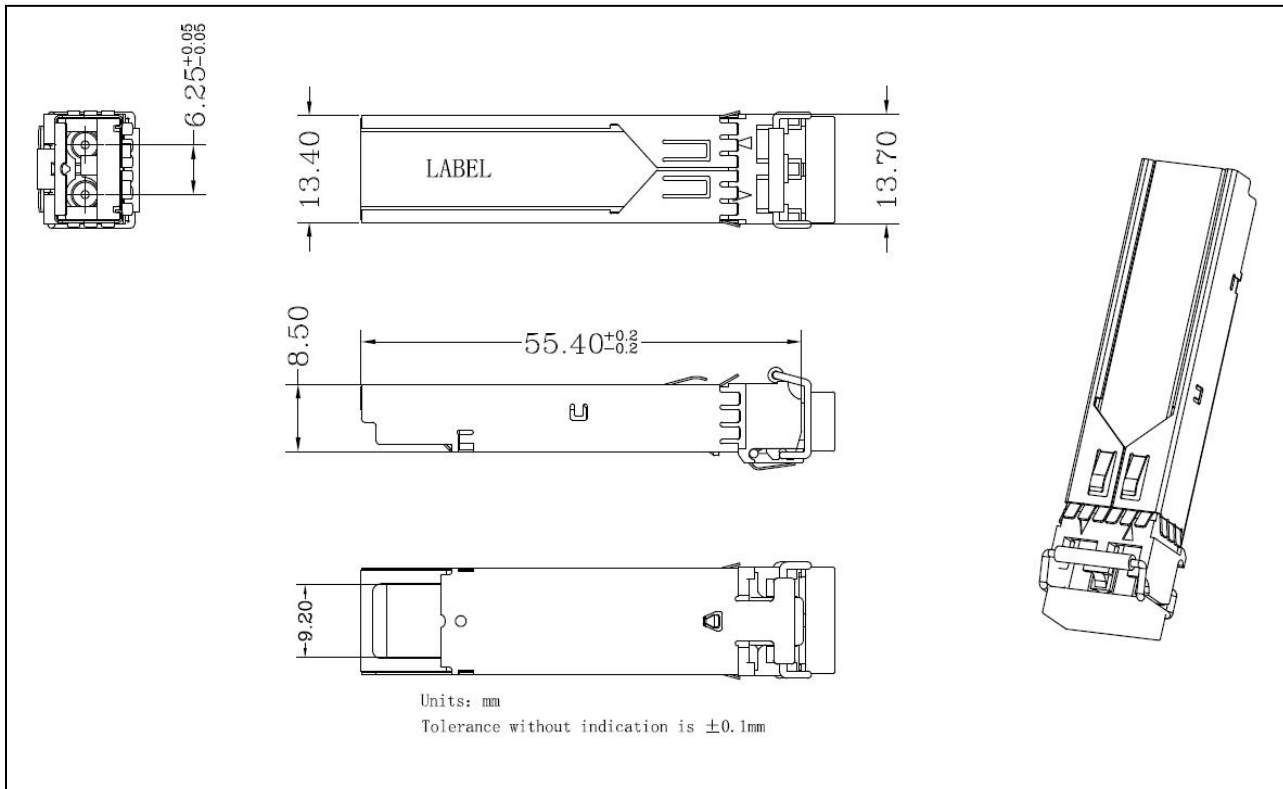
1. When Operating temp.=0~70 °C, the range will be min=-5, Max=+75
2. The accuracy of the Tx bias current is 10% of the actual current from the laser driver to the laser
3. Internal/ External Calibration compatible.

## Typical Interface Circuit





## Package Dimensions



## Ordering Information

Part Number	Description
OLSP3112L-CD40	SFP,1.25G, 1310nm, 40Km, 0~70°C, with Digital Diagnostic Monitor
OLSP3112L-ID40	SFP,1.25G, 1310nm,40Km, -40~85°C, with Digital Diagnostic Monitor

## For More Information

Shenzhen Olinkcom Technology Co.,Ltd

Add:4/F, No.2 Building, Delux Science and Technology City, No.5 Guanle Rd,Luhu Community, Guanlan Street, Longhua District, Shenzhen, China

Tel: +86-755-27215326

Fax: +86-755-27217051

E-mail:[sales@olinkphotonics.com](mailto:sales@olinkphotonics.com)

Website:[www.olinkphotonics.com](http://www.olinkphotonics.com)