



# Product Specification Sheet

## OLSCxx12L-C(I)DH3

RoHS Compliant 1.25Gbps CWDM 1470nm~1610nm Optical Transceiver 120km Reach



## Product Features

- Supports bit rates up to 1.25Gbps
- Duplex LC connector
- Hot pluggable SFP footprint
- CWDM 1470nm~1610nm laser transmitter and APD photo-detector
- Applicable for 100Km SMF connection
- Low power consumption, < 1.0W
- Digital Diagnostic Monitor Interface
- Compliant with SFP MSA and SFF-8472
- Very low EMI and excellent ESD protection
- Operating case temperature:  
Commerical: 0 to 70 °C  
Industrial: -40 to 85 °C

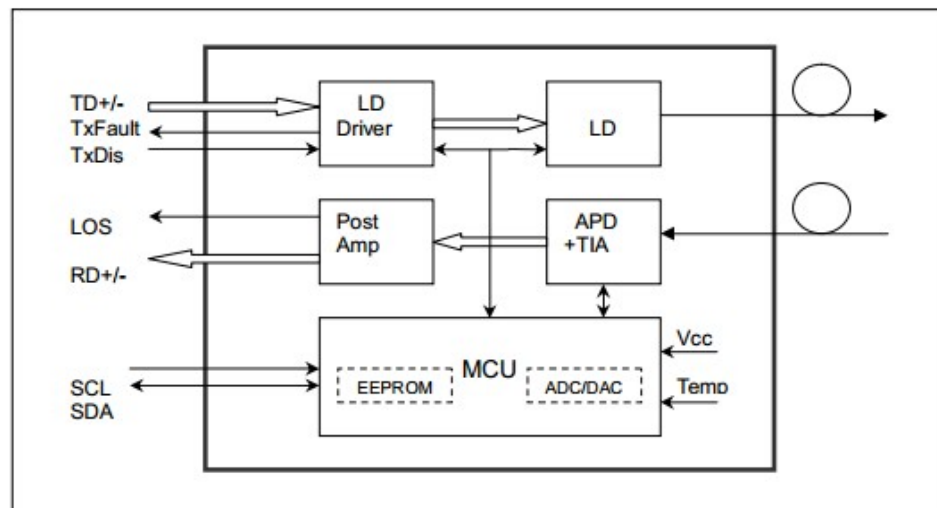
## Applications

- Gigabit Ethernet
- WDM systems
- Switch to Switch interface
- Switched backplane applications
- Router/Server interface
- Other optical transmission systems

## Product Descriptions

Olinkphotonics' OLSCxx12L-C(I)DH3, The SFP transceivers are high performance, cost effective modules supporting data-rate of 1.25Gb/s and 120km transmission distance with SMF. The transceiver consists of three sections: an uncooled CWDM DFB laser transmitter, a APD photodiode integrated with a trans-impedance preamplifier (TIA) and MCU control unit. All modules satisfy class I laser safety requirements. The transceivers are compatible with SFP Multi-Source Agreement (MSA) and SFF-8472. For further information, please refer to SFP MSA.

## Functional Diagram





## Absolute Maximum Ratings

| Parameter           | Symbol | Min. | Max. | Unit | Note |
|---------------------|--------|------|------|------|------|
| Supply Voltage      | Vcc    | -0.5 | 4.0  | V    |      |
| Storage Temperature | Ts     | -40  | 85   | °C   |      |
| Relative Humidity   | RH     | 0    | 85   | %    |      |

**Note:** Stress in excess of the maximum absolute ratings can cause permanent damage to the transceiver.

## General Operating Characteristics

| Parameter            | Symbol | Min. | Typ  | Max. | Unit | Note |
|----------------------|--------|------|------|------|------|------|
| Data Rate            | DR     |      | 1.25 |      | Gb/s |      |
| Supply Voltage       | Vcc    | 3.13 | 3.3  | 3.47 | V    |      |
| Supply Current       | Iccs   |      |      | 300  | mA   |      |
| Operating Case Temp. | Tc     | 0    |      | 70   | °C   |      |
|                      | Tl     | -40  |      | 85   |      |      |

## Electrical Characteristics (TOP(C) = 0 to 70 °C, TOP(I) = -40 to 85 °C, VCC = 3.13 to 3.47 V)

| Parameter                      | Symbol              | Min. | Typ | Max.                 | Unit             | Note |
|--------------------------------|---------------------|------|-----|----------------------|------------------|------|
| <b>Transmitter</b>             |                     |      |     |                      |                  |      |
| Differential data input swing  | V <sub>IN,PP</sub>  | 120  |     | 820                  | mV <sub>pp</sub> | 1    |
| Tx Disable Input-High          | V <sub>IH</sub>     | 2.0  |     | V <sub>cc</sub> +0.3 | V                |      |
| Tx Disable Input-Low           | V <sub>IL</sub>     | 0    |     | 0.8                  | V                |      |
| Tx Fault Output-High           | V <sub>OH</sub>     | 2.0  |     | V <sub>cc</sub> +0.3 | V                | 2    |
| Tx Fault Output-Low            | V <sub>OL</sub>     | 0    |     | 0.5                  | V                | 2    |
| Input differential impedance   | R <sub>in</sub>     |      | 100 |                      | Ω                |      |
| <b>Receiver</b>                |                     |      |     |                      |                  |      |
| Differential data output swing | V <sub>out,pp</sub> | 300  | 650 | 800                  | mV <sub>pp</sub> | 3    |
| Rx LOS Output-High             | V <sub>ROH</sub>    | 2.0  |     | V <sub>cc</sub> +0.3 | V                | 2    |
| Rx LOS Output-Low              | V <sub>ROL</sub>    | 0    |     | 0.8                  | V                | 2    |

**Notes:**

1. TD+/- are internally AC coupled with 100Ω differential termination inside the module.
2. Tx Fault and Rx LOS are open collector outputs, which should be pulled up with 4.7k to 10kΩ resistors on the host board. Pull up voltage between 2.0V and Vcc+0.3V.
3. RD+/- outputs are internally AC coupled, and should be terminated with 100Ω (differential) at the user SERDES.

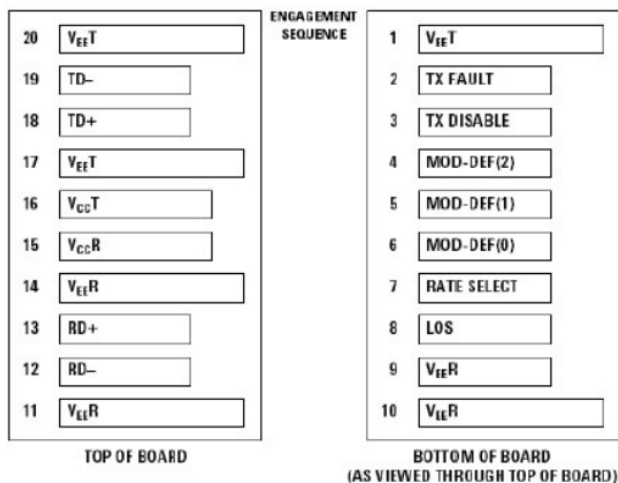
## Optical Characteristics (TOP(C)= 0 to 70 °C, TOP(I) =-40 to 85 °C,VCC = 3.13 to 3.47 V)

| Parameter                   | Symbol                         | Min.                   | Typ       | Max.                   | Unit | Note |
|-----------------------------|--------------------------------|------------------------|-----------|------------------------|------|------|
| <b>Transmitter</b>          |                                |                        |           |                        |      |      |
| Operating Wavelength        | $\lambda$                      | $\lambda-7.5\text{nm}$ | $\lambda$ | $\lambda+7.5\text{nm}$ | nm   | 1    |
| Ave. output power (Enabled) | P <sub>AVE</sub>               | 0                      |           | 5                      | dBm  | 2    |
| Extinction Ratio            | ER                             | 9                      |           |                        | dB   | 2    |
| RMS spectral width          | $\Delta\lambda$                |                        |           | 1                      | nm   |      |
| Rise/Fall time (20%~80%)    | Tr/Tf                          |                        |           | 0.26                   | ns   | 3    |
| Dispersion penalty          | T <sub>DP</sub>                |                        |           | 3.9                    | dB   |      |
| Output Optical Eye          | ITU-T G.957 Compliant          |                        |           |                        |      |      |
| <b>Receiver</b>             |                                |                        |           |                        |      |      |
| Operating Wavelength        | $\lambda$                      |                        | $\lambda$ |                        | nm   |      |
| Receiver Sensitivity        | P <sub>SEN1</sub>              |                        |           | -32                    | dBm  | 4    |
| Overload                    | P <sub>AVE</sub>               | -7                     |           |                        | dBm  | 4    |
| LOS Assert                  | P <sub>a</sub>                 | -45                    |           |                        | dBm  |      |
| LOS De-assert               | P <sub>d</sub>                 |                        |           | -33                    | dBm  |      |
| LOS Hysteresis              | P <sub>d</sub> -P <sub>a</sub> | 0.5                    |           |                        | dB   |      |

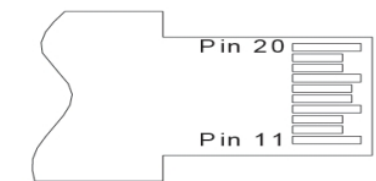
### Notes:

- $\lambda$  means 1470nm~1610nm ,Total 8wavelengths ,20nm spacing.
- Measured at 1.25Gb/s with PRBS 2<sup>23</sup>-1 NRZ test pattern.
- Unfiltered, measured with a PRBS2<sup>23</sup>-1 test pattern @1.25Gbps
- Measured at 1.25Gb/s with PRBS 2<sup>23</sup>-1 NRZ test pattern for BER < 1x10<sup>-12</sup>

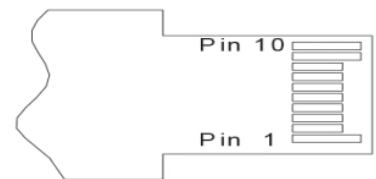
## Pin Defintion And Functionsm



TOP VIEW OF BOARD



BOTTOM VIEW OF BOARD



| Pin | Symbol | Name/Description | Notes |
|-----|--------|------------------|-------|
|-----|--------|------------------|-------|



|    |             |  |   |
|----|-------------|--|---|
| 1  | VeeT        | Tx ground  |   |
| 2  | Tx Fault    | Tx fault indication, Open Collector Output, active “H” | 1 |
| 3  | Tx Disable  | LVTTL Input, internal pull-up, Tx disabled on “H”      | 2 |
| 4  | MOD-DEF2    | 2 wire serial interface data input/output (SDA)        | 3 |
| 5  | MOD-DEF1    | 2 wire serial interface clock input (SCL)              | 3 |
| 6  | MOD-DEF0    | Model present indication                               | 3 |
| 7  | Rate select | No connection  |   |
| 8  | LOS         | Rx loss of signal, Open Collector Output, active “H”   | 4 |
| 9  | VeeR        | Rx ground  |   |
| 10 | VeeR        | Rx ground  |   |
| 11 | VeeR        | Rx ground  |   |
| 12 | RD-         | Inverse received data out                              | 5 |
| 13 | RD+         | Received data out                                      | 5 |
| 14 | VeeR        | Rx ground  |   |
| 15 | VccR        | Rx power supply  |   |
| 16 | VccT        | Tx power supply  |   |
| 17 | VeeT        | Tx ground  |   |
| 18 | TD+         | Transmit data in                                       | 6 |
| 19 | TD-         | Inverse transmit data in                               | 6 |
| 20 | VeeT        | Tx ground  |   |

**Notes:**

- When high, this output indicates a laser fault of some kind. Low indicates normal operation. And should be pulled up with a 4.7 – 10KΩ resistor on the host board.
- TX disable is an input that is used to shut down the transmitter optical output. It is pulled up within the module with a 4.7 – 10KΩ resistor. Its states are:

Low (0 – 0.8V): Transmitter on                      (>0.8, < 2.0V): Undefined  
 High (2.0V~Vcc+0.3V): Transmitter Disabled    Open: Transmitter Disabled

- Mod-Def 0,1,2. These are the module definition pins. They should be pulled up with a 4.7K – 10KΩ resistor on the host board. The pull-up voltage shall be between 2.0V~Vcc+0.3V.

Mod-Def 0 has been grounded by the module to indicate that the module is present  
 Mod-Def 1 is the clock line of two wire serial interface for serial ID  
 Mod-Def 2 is the data line of two wire serial interface for serial ID

- When high, this output indicates loss of signal (LOS). Low indicates normal operation.
- RD+/-: These are the differential receiver outputs. They are AC coupled 100Ω differential lines which should be terminated with 100Ω (differential) at the user SERDES. The AC coupling is done inside the module and is thus not required on the host board.
- TD+/-: These are the differential transmitter inputs. They are AC-coupled, differential lines with 100Ω differential termination inside the module. The AC coupling is done inside the module and is thus not required on the host board.

## Digital Diagnostic Specifications

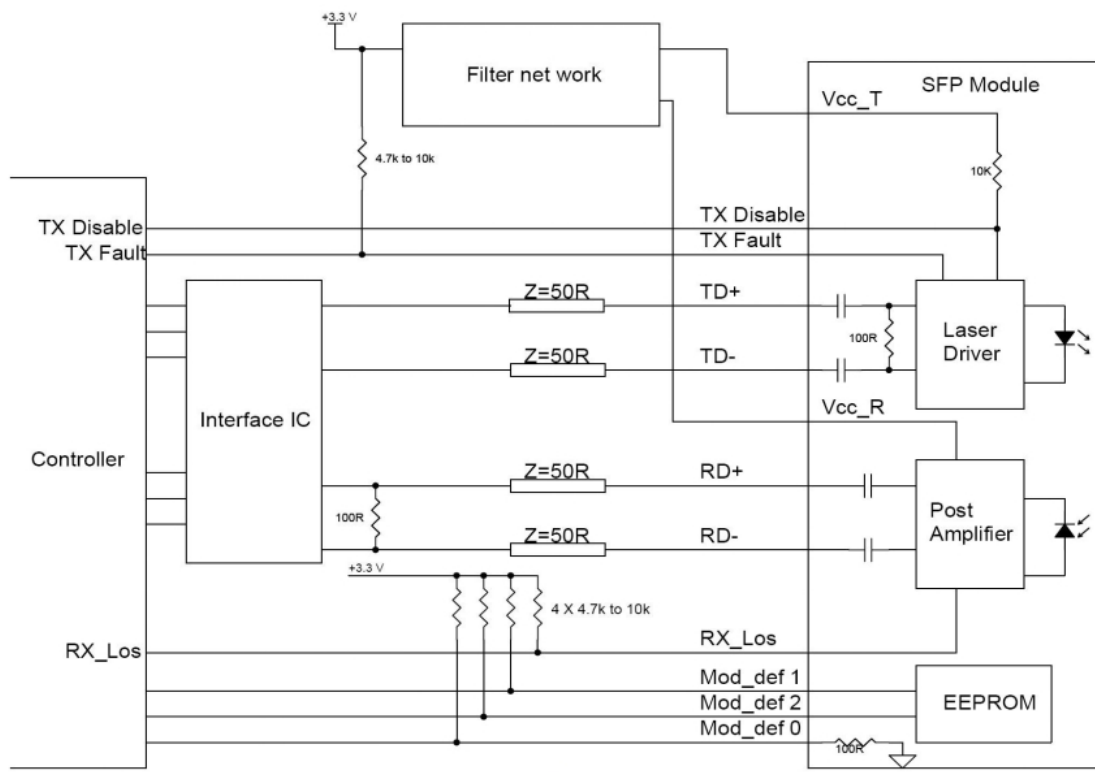
The OLSCxx12L-C(I)DH3 transceivers can be used in host systems that require either internally or externally calibrated digital diagnostics.

| Parameter                    | Symbol    | Units | Min. | Max. | Accuracy | Note |
|------------------------------|-----------|-------|------|------|----------|------|
| Transceiver temperature      | DTemp-E   | °C    | -45  | +90  | ±5°C     | 1    |
| Transceiver supply voltage   | DVoltage  | V     | 2.8  | 4.0  | ±3%      |      |
| Transmitter bias current     | DBias     | mA    | 2    | 80   | ±10%     | 2    |
| Transmitter output power     | DTx-Power | dBm   | -1   | 6    | ±3dB     |      |
| Receiver average input power | DRx-Power | dBm   | -35  | -7   | ±3dB     |      |

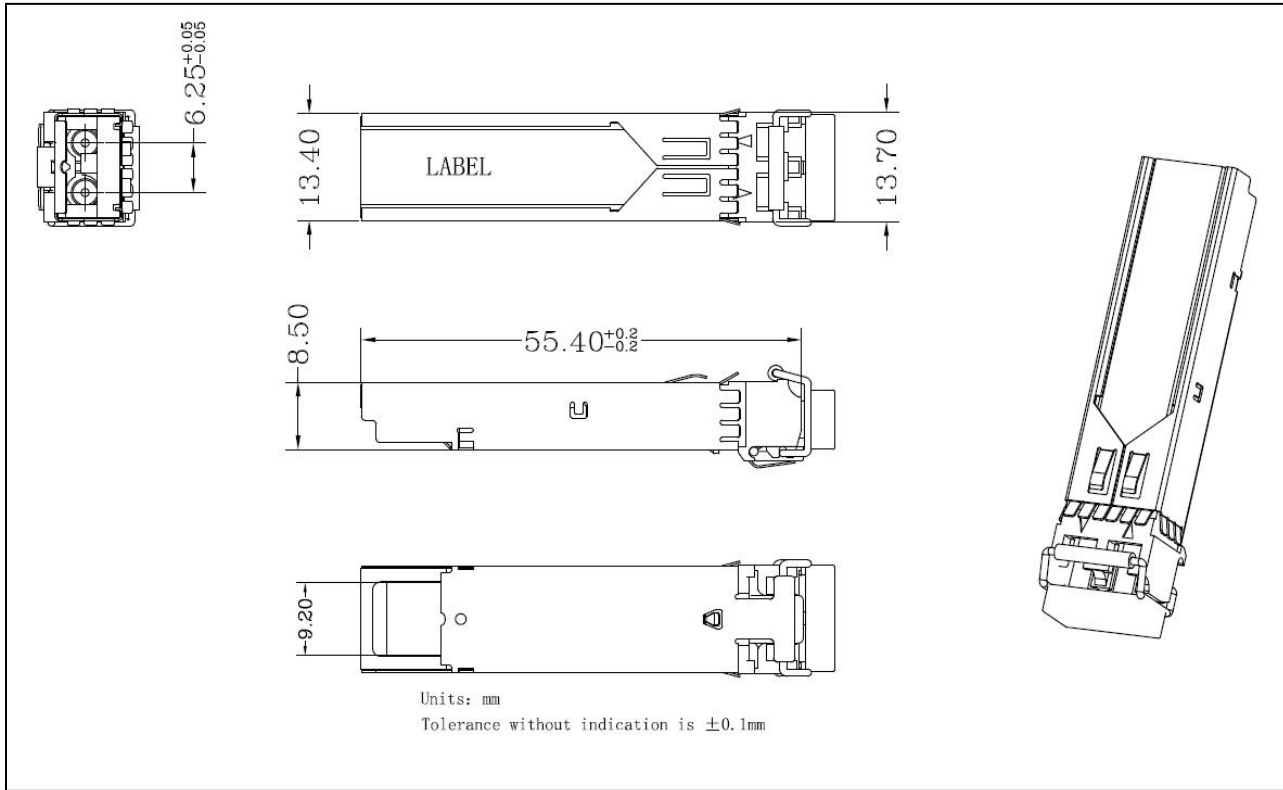
**Notes:**

1. When Operating temp.=0~70 °C, the range will be min=-5, Max=+75
2. The accuracy of the Tx bias current is 10% of the actual current from the laser driver to the laser
3. Internal/ External Calibration compatible.

**Typical Interface Circuit**



## Package Dimensions



## Product Selection(Color of Latches)

| Wavelength | XX | Latch Color | Wavelength | XX | Latch Color |
|------------|----|-------------|------------|----|-------------|
| 1470nm     | 47 | Gray        | 1550nm     | 55 | Yellow      |
| 1490nm     | 49 | Violet      | 1570nm     | 57 | Orange      |
| 1510nm     | 51 | Blue        | 1590nm     | 59 | Red         |
| 1530nm     | 53 | Green       | 1610nm     | 61 | Brown       |



## Ordering Information

| Part Number    | Description  |
|----------------|--|
| OLSCxx12L-CDH3 | SFP,1.25G, CWDM, 120Km, 0~70°C, with Digital Diagnostic Monitor  |
| OLSCxx12L-IDH3 | SFP,1.25G, CWDM,120Km, -40~85°C, with Digital Diagnostic Monitor |
| xx means       | 47=1470nm,49=1490nm,...59=1590nm,61=1610nm                       |

## For More Information

Shenzhen Olinkcom Technology Co.,Ltd

Add:4/F, No.2 Building, Delux Science and Technology City, No.5 Guanle Rd,Luhu Community, Guanlan Street,  
Longhua District, Shenzhen, China

Tel: +86-755-27215326

Fax: +86-755-27217051

E-mail:[sales@olinkphotonics.com](mailto:sales@olinkphotonics.com)

Website:[www.olinkphotonics.com](http://www.olinkphotonics.com)