

# Product Specification Sheet

## OLSDxx12L-(C/E/T)D40

RoHS Compliant 1.25Gb/s SFP+ DWDM 40km Optical Transceiver





## Product Features

- Supports 1.25 Gb/s bit rates
- Duplex LC connector
- Hot pluggable SFP+ footprint
- Cooled EML transmitter and PIN-TIA receiver
- Applicable for 40km SMF connection
- Low power consumption, < 1.5W
- 100 GHz channel spacing
- Digital Diagnostic Monitor Interface
- Optical interface compliant to ITU-T 694.1& G.698.1
- Electrical interface compliant to SFF-8431& SFF-8432
- Operating case temperature:
  - Commerical: 0 to 70 °C
  - Exceptional: -20 to 85 °C
  - Industrial: -40~85°C

## Applications

- 1.25G Ethernet
- ITU-T G.698.1
- Other optical links

## Product Descriptions

Olinkphotonics' OLSDxx12L-(C/E/I)D40 Enhanced Small Form Factor Pluggable SFP+ transceivers are designed for use in 10-Gigabit Ethernet links up to 40km over SingleMode fiber. They are compliant with SFF-8431, SFF-8432 and ITU-T G.698.1. The transceiver designs are optimized for high performance and cost effective to supply customers the best solutions for telecommunication.

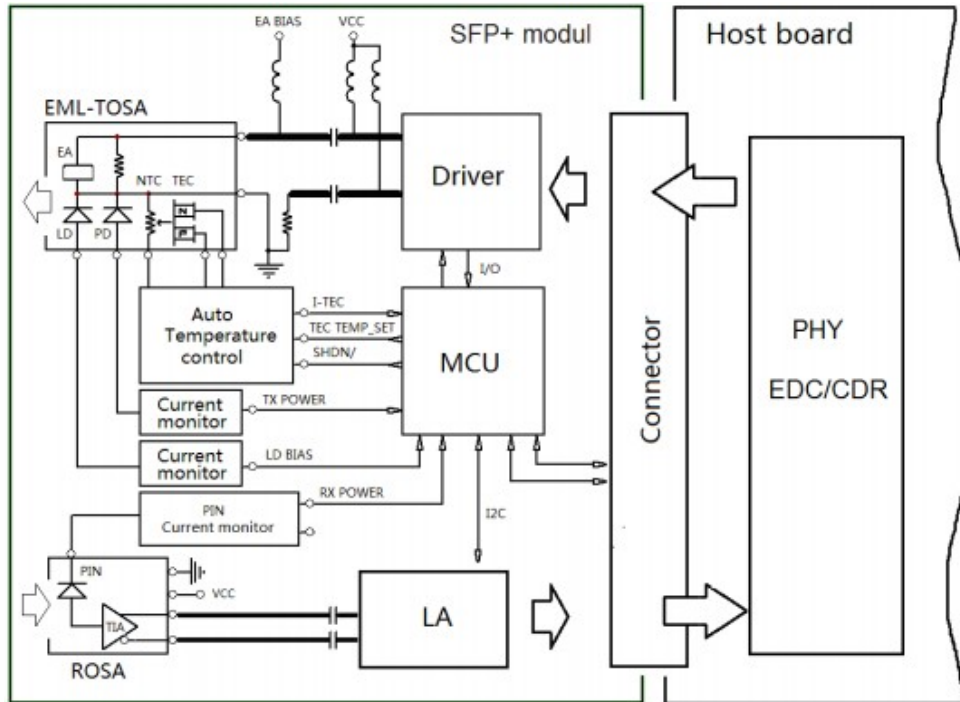
This transceiver consists of two sections: The transmitter section incorporates a cooled EML laser. And the receiver section consists of a PIN photodiode integrated with a TIA. All modules satisfy class I laser safety requirements. Digital diagnostics functions are available via a 2-wire serial interface, as specified in SFF-8472, which allows real-time access to device operating parameters such as transceiver temperature, laser bias current, transmitted optical power, received optical power and transceiver supply voltage.



## Product Channel Selection

Channel#	Product Part No.	Frequency (THz)	Center Wavelength (nm)
17	OLSD1712L-(C/E/I) D40	191.7	1563.86
18	OLSD1812L-(C/E/I)D40	191.8	1563.05
19	OLSD1912L-(C/E/I)D40	191.9	1562.23
20	OLSD2012L-(C/E/I)D40	192.0	1561.42
21	OLSD2112L-(C/E/I)D40	192.1	1560.61
22	OLSD2212L-(C/E/I)D40	192.2	1559.79
23	OLSD2312L-(C/E/I)D40	192.3	1558.98
24	OLSD2412L-(C/E/I)D40	192.4	1558.17
25	OLSD2512L-(C/E/I)D40	192.5	1557.36
26	OLSD2612L-(C/E/I)D40	192.6	1556.55
27	OLSD2712L-(C/E/I)D40	192.7	1555.75
28	OLSD2812L-(C/E/I)D40	192.8	1554.94
29	OLSD2912L-(C/E/I)D40	192.9	1554.13
30	OLSD3012L-(C/E/I)D40	193.0	1553.33
31	OLSD3112L-(C/E/I)D40	193.1	1552.52
32	OLSD3212L-(C/E/I)D40	193.2	1551.72
33	OLSD3312L-(C/E/I)D40	193.3	1550.92
34	OLSD3412L-(C/E/I)D40	193.4	1550.12
35	OLSD3512L-(C/E/I)D40	193.5	1549.32
36	OLSD3612L-(C/E/I)D40	193.6	1548.51
37	OLSD3712L-(C/E/I)D40	193.7	1547.72
38	OLSD3812L-(C/E/I)D40	193.8	1546.92
39	OLSD3912L-(C/E/I)D40	193.9	1546.12
40	OLSD4012L-(C/E/I)D40	194.0	1545.32
41	OLSD4112L-(C/E/I)D40	194.1	1544.53
42	OLSD4212L-(C/E/I)D40	194.2	1543.73
43	OLSD4312L-(C/E/I)D40	194.3	1542.94
44	OLSD4412L-(C/E/I)D40	194.4	1542.14
45	OLSD4512L-(C/E/I)D40	194.5	1541.35
46	OLSD4612L-(C/E/I)D40	194.6	1540.56
47	OLSD4712L-(C/E/I)D40	194.7	1539.77
48	OLSD4812L-(C/E/I)D40	194.8	1538.98
49	OLSD4912L-(C/E/I)D40	194.9	1538.19
50	OLSD5012L-(C/E/I)D40	195.0	1537.40
51	OLSD5112L-(C/E/I)D40	195.1	1536.61
52	OLSD5212L-(C/E/I)D40	195.2	1535.82
53	OLSD5312L-(C/E/I)D40	195.3	1535.04
54	OLSD5412L-(C/E/I)D40	195.4	1534.25
55	OLSD5512L-(C/E/I)D40	195.5	1533.47
56	OLSD5612L-(C/E/I)D40	195.6	1532.68
57	OLSD5712L-(C/E/I)D40	195.7	1531.90
58	OLSD5812L-(C/E/I)D40	195.8	1531.12
59	OLSD5912L-(C/E/I)D40	195.9	1530.33
60	OLSD6012L-(C/E/I)D40	196.0	1529.55

## Functional Diagram



## Absolute Maximum Ratings

Parameter	Symbol	Min.	Max.	Unit	Note
Supply Voltage	Vcc	-0.5	4.0	V	
Storage Temperature	Ts	-40	85	°C	
Relative Humidity	RH	0	85	%	
Receiver Damage Threshold	RDth	2		dBm	

**Note:** Stress in excess of the maximum absolute ratings can cause permanent damage to the transceiver.

## General Operating Characteristics

Parameter	Symbol	Min.	Typ	Max.	Unit	Note
Data Rate	DR		1.25		Gb/s	
Supply Voltage	Vcc	3.13	3.3	3.47	V	
Supply Current	Iccs			450	mA	
Operating Case Temp.	Te	-40		85	°C	



## Electrical Characteristics (T<sub>OP</sub> = 0 to 70°C/-20~85°C/-40~85°C, V<sub>CC</sub> = 3.13 to 3.47 V)

Parameter	Symbol	Min.	Typ	Max.	Unit	Note
<b>Transmitter</b>						
Differential data input swing	V <sub>IN,PP</sub>	120		850	mV <sub>pp</sub>	
Transmit Disable Voltage	V <sub>D</sub>	V <sub>CC</sub> -0.8		V <sub>CC</sub>	V	
Transmit Enable Voltage	V <sub>EN</sub>	V <sub>EE</sub>		V <sub>EE</sub> +0.8	V	
Input differential impedance	R <sub>in</sub>		100		Ω	
<b>Receiver</b>						
Differential data output swing	V <sub>out,pp</sub>	340		800	mV <sub>pp</sub>	
Output rise time and fall time	T <sub>r</sub> , T <sub>f</sub>	28			Ps	1
LOS asserted	V <sub>LOS_F</sub>	V <sub>CC</sub> -0.8		V <sub>CC</sub>	V	2
LOS de-asserted	V <sub>LOS_N</sub>	V <sub>EE</sub>		V <sub>EE</sub> +0.8	V	2

### Notes:

- 20 – 80%. Measured with Module Compliance Test Board and OMA test pattern. Use of four 1's and four 0's sequence in the PRBS 9 is an acceptable alternative.
- LOS is an open collector output. Should be pulled up with 4.7kΩ – 10kΩ on the host board. Normal operation is logic 0; loss of signal is logic 1.

## Optical Characteristics (T<sub>OP</sub> = 0 to 70°C/-20~85°C/-40~85°C, V<sub>CC</sub> = 3.13 to 3.47 V)

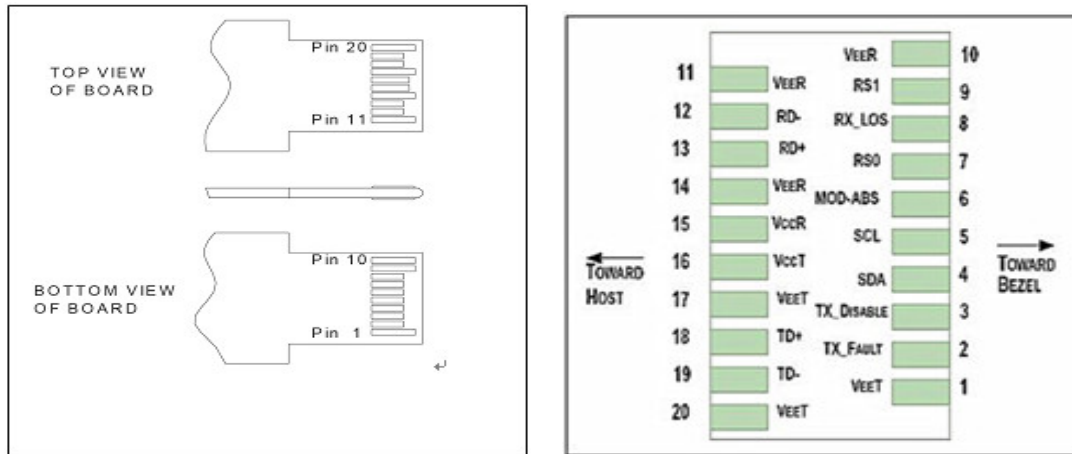
Parameter	Symbol	Min.	Typ	Max.	Unit	Note
<b>Transmitter</b>						
Center Wavelength	λ <sub>c</sub>	λ-0.1nm	λ	λ+0.1nm	nm	
Center Wavelength (End of Life)	λ <sub>c_EOL</sub>		λ <sub>c</sub> ±100pm			
Ave. output power (Enabled)	P <sub>AVE</sub>	0		5	dBm	1
Side-Mode Suppression Ratio	SMSR	30			dB	
Extinction Ratio	ER	6			dB	
RMS spectral width	Δλ			1	nm	
Rise/Fall time (20%~80%)	T <sub>r</sub> /T <sub>f</sub>			50	ps	
Relative Intensity Noise	R <sub>IN</sub>			-128	dB/Hz	
<b>Receiver</b>						
Operating Wavelength	λ	1260		1600	nm	
Receiver Sensitivity	P <sub>SEN</sub>			-22	dBm	2
Overload	P <sub>AVE</sub>	+0.5			dBm	
LOS Assert	P <sub>a</sub>	-40			dBm	
LOS De-assert	P <sub>d</sub>			-24	dBm	
LOS Hysteresis	P <sub>d</sub> -P <sub>a</sub>	0.5			dB	

### Notes:

- Measured 2<sup>23</sup>-1 PRBS@1.25G
- Measured with worst ER=8.2dB; 2<sup>23</sup>-1 PRBS@1.25G



## Pin Defintion And Functions



Pin	Symbol	Name/Description
1	VEET [1]	Transmitter Ground
2	Tx_FAULT [2]	Transmitter Fault
3	Tx_DIS [3]	Transmitter Disable. Laser output disabled on high or open
4	SDA [2]	2-wire Serial Interface Data Line
5	SCL [2]	2-wire Serial Interface Clock Line
6	MOD_ABS [4]	Module Absent. Grounded within the module
7	RS0	Rate Select 0
8	RX_LOS [2]	Loss of Signal indication. Logic 0 indicates normal operation
9	RS1	Rate Select 1
10	VEER [1]	Receiver Ground
11	VEER [1]	Receiver Ground
12	RD-	Receiver Inverted DATA out. AC Coupled
13	RD+	Receiver DATA out. AC Coupled
14	VEER [1]	Receiver Ground
15	VCCR	Receiver Power Supply
16	VCCT	Transmitter Power Supply
17	VEET [1]	Transmitter Ground
18	TD+	Transmitter DATA in. AC Coupled
19	TD-	Transmitter Inverted DATA in. AC Coupled
20	VEET [1]	Transmitter Ground

### Notes:

- 1.Module circuit ground is isolated from module chassis ground within the module.
- 2.should be pulled up with 4.7k – 10k ohms on host board to a voltage between 3.15V and 3.6V.
- 3.Tx\_Disable is an input contact with a 4.7 kΩ to 10 kΩ pullup to VccT inside the module.
- 4.Mod\_ABS is connected to VeeT or VeeR in the SFP+ module. The host may pull this contact up to Vcc\_Host with a resistor in the range 4.7 kΩ to 10 kΩ.Mod\_ABS is asserted “High” when the SFP+ module is physically absent from a host slot.



## Serial Interface for ID and Digital Diagnostic Monitor

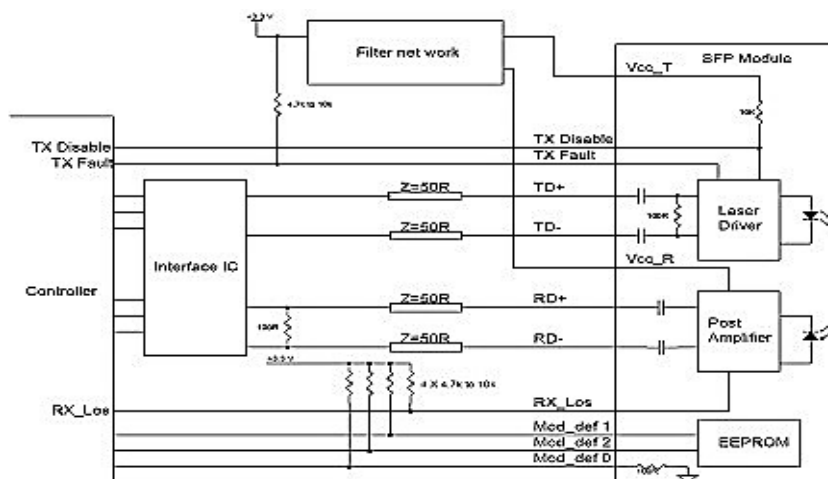
The OLSDxx12L-(C/E/I)D40 transceiver support the 2-wire serial communication protocol as defined in the SFP+ MSA. The standard SFP+ serial ID provides access to identification information that describes the transceiver’s capabilities, standard interfaces, manufacturer, and other information. Additionally, This SFP+ transceivers provide an enhanced digital diagnostic monitoring interface, which allows real-time access to device operating parameters such as transceiver temperature, laser bias current, transmitted optical power, received optical power and transceiver supply voltage. It also defines a sophisticated system of alarm and warning flags, which alerts end-users when particular operating parameters are outside of a factory set normal range.

The SFP MSA defines a 256-byte memory map in EEPROM that is accessible over a 2-wire serial interface at the 8 bit address 1010000X(A0h), so the originally monitoring interface makes use of the 8 bit address(A2h), so the originally defined serial ID memory map remains unchanged. The structure of the memory map is shown in Table1.

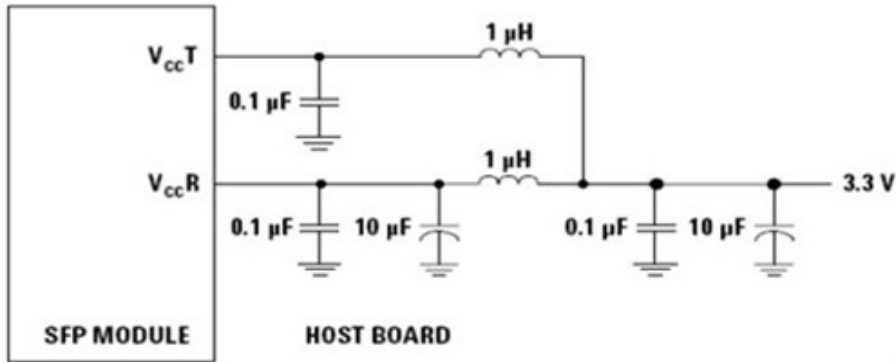
2 wire address 1010000X (A0h)		2 wire address 1010001X (A2h)	
Address	Information	Address	Information
0-95	Serial ID Defined by SFP MSA (96 bytes)	0-55	Alarm and Warning Thresholds (56 bytes)
96-127	Vendor Specific (32 bytes)	56-95	Calibration Constants (40 bytes)
128-255	Reserved,SFF8079 (128 bytes)	96-119	Real Time Diagnostic Interface (24 bytes)
		120-127	Vender Specific (8 bytes)
		128-247	User Writable EEPROM (120 bytes)
		248-255	Vender Specific (8 bytes)

Table 1. Digital Diagnostic Memory Map (Specific Data Field Descriptions)

## Typical Interface Circuit



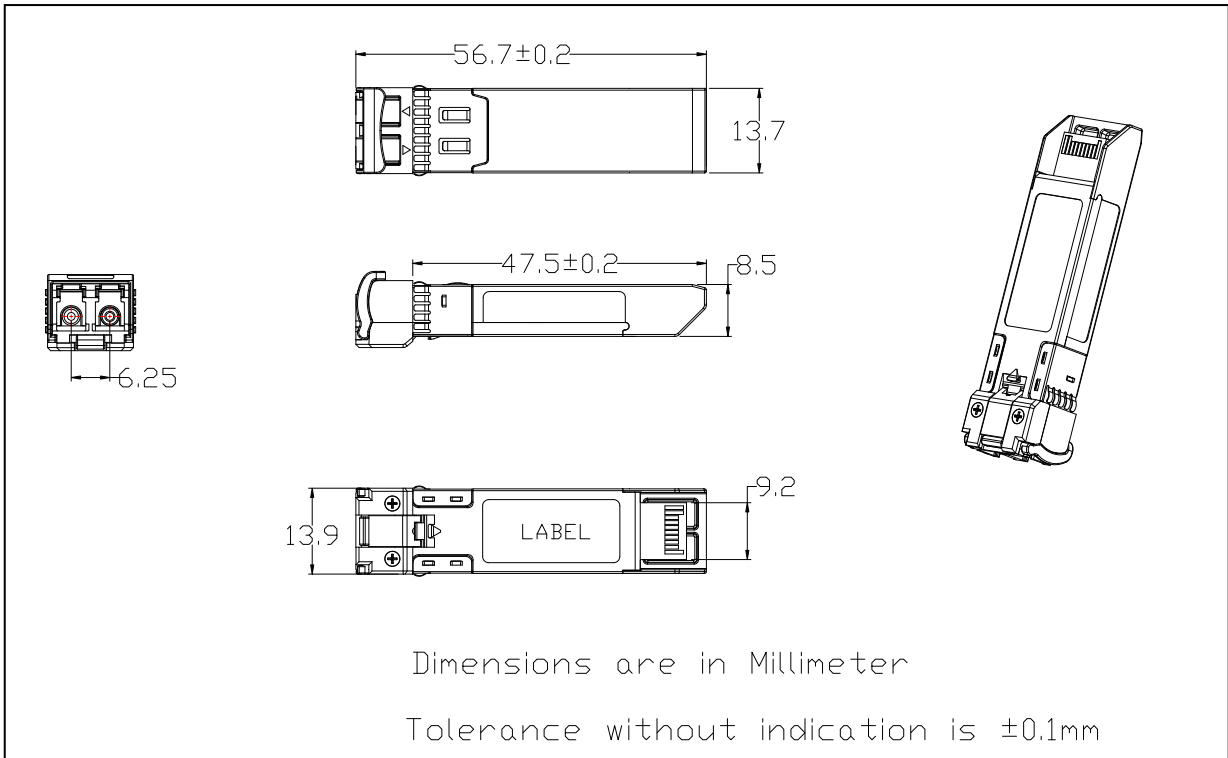
## Recommended power supply filter



**Note:**

Inductors with DC resistance of less than 1Ω should be used in order to maintain the required voltage at the SFP input pin with 3.3V supply voltage. When the recommended supply filtering network is used, hot plugging of the SFP transceiver module will result in an inrush current of no more than 30 mA greater than the steady state value

## Package Dimensions







## Ordering Information

Part Number	Description
OLSDxx12L-CD40	SFP+,1.25Gb/s, DWDM wavelengths,40km, 0~70℃, with Digital Diagnostic Monitor
OLSDxx12L-ED40	SFP+,1.25Gb/s, DWDM wavelengths,40km, -20~85℃, with Digital Diagnostic Monitor
OLSDxx12L-ID40	SFP+,1.25Gb/s, DWDM wavelengths,40km, -40~85℃, with Digital Diagnostic Monitor
xx Means:	Refer to “ <b>Product Channel Selection</b> ”

## For More Information

Shenzhen Olinkcom Technology Co.,Ltd

Add:4/F, No.2 Building, Delux Science and Technology City, No.5 Guanle Rd,Luhu Community, Guanlan Street,  
Longhua District, Shenzhen, China

Tel: +86-755-27215326/15813813563

Fax: +86-755-27217051

E-mail:[sujing@olinkphotonics.com](mailto:sujing@olinkphotonics.com)

Website:[www.olinkphotonics.com](http://www.olinkphotonics.com)